

6

5

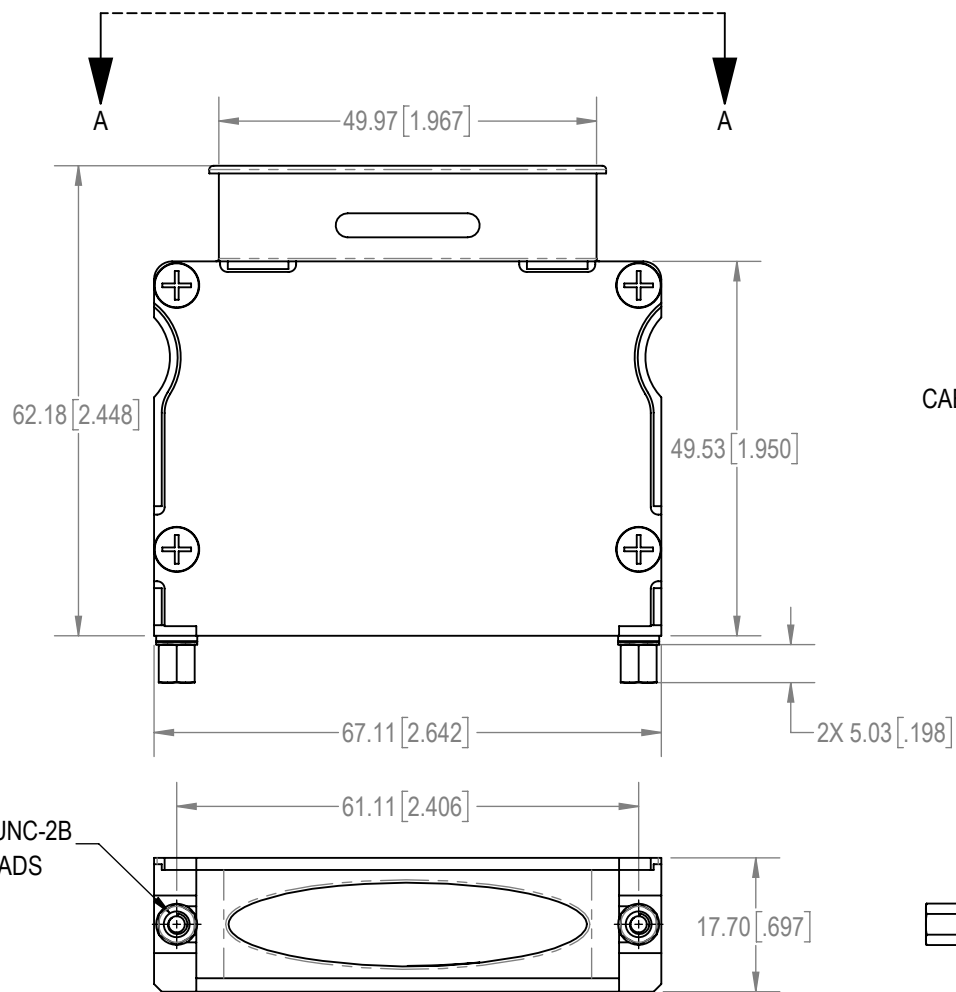
4

3

2

1

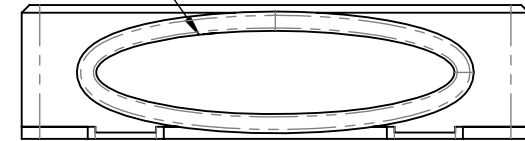
D



D

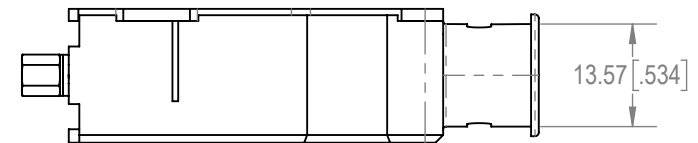
C

CABLE OPENING



C

AUXILIARY A-A



B

B

NOTES:

1. MATERIAL AND FINISHES:

HOOD AND HOOD COVER: ALUMINUM, ELECTROLESS NICKEL PLATED.

JACKSCREWS: STEEL, ZINC PLATED WITH CHROMATE SEAL.


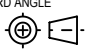
COVER SCREWS: STEEL, NICKEL PLATE.

WASHERS: BRASS, ZINC PLATED WITH CHROMATE SEAL.

2. DETAILED PRODUCT, MECHANICAL AND ELECTRICAL INFORMATION IS AVAILABLE IN THE LATEST D-SUB ACCESSORIES PRODUCT PUBLICATION AT CONNECTPOSITRONIC.COM.

3. HOODS ARE COMPLIANT TO THE CURRENT RoHS DIRECTIVE.

A

BY	SS	CHK	AB	3RD ANGLE	POSITRONIC BELIEVES THE DATA ON THE DRAWING TO BE RELIABLE. THE USER EMPLOYS SUCH INFORMATION AT HIS OWN DISCRETION AND RISK. POSITRONIC ASSUMES NO RESPONSIBILITY FOR RESULTS OBTAINED OR DAMAGES INCURRED FROM USE OF SUCH INFORMATION IN WHOLE OR IN PART.	 Positronic [®] CONNECTPOSITRONIC.COM		
APR	SS	RELEASED DATE: 2023-08-30						
TOLERANCES				SCALE	PART NUMBER	SERIES		
±0.03mm [.001 INCHES] FOR MALE CONTACT MATING DIAMETERS ±0.08mm [.003 INCHES] FOR CONTACT TERMINATION DIAMETERS ±0.13mm [.005 INCHES] FOR ALL OTHER DIAMETERS ±0.38mm [.015 INCHES] FOR ALL OTHER DIMENSIONS ±5° FOR ALL ANGLES DIMENSION ARE IN MILLIMETERS [INCHES]				NTS			D50000APNT20/AA	D
				TITLE			D50000APNT20/AA	
				CREATED ON:	SHEET	REV		
				2023-08-28	SHEET 1 OF 1	B		

A

6

5

4

3

2

1